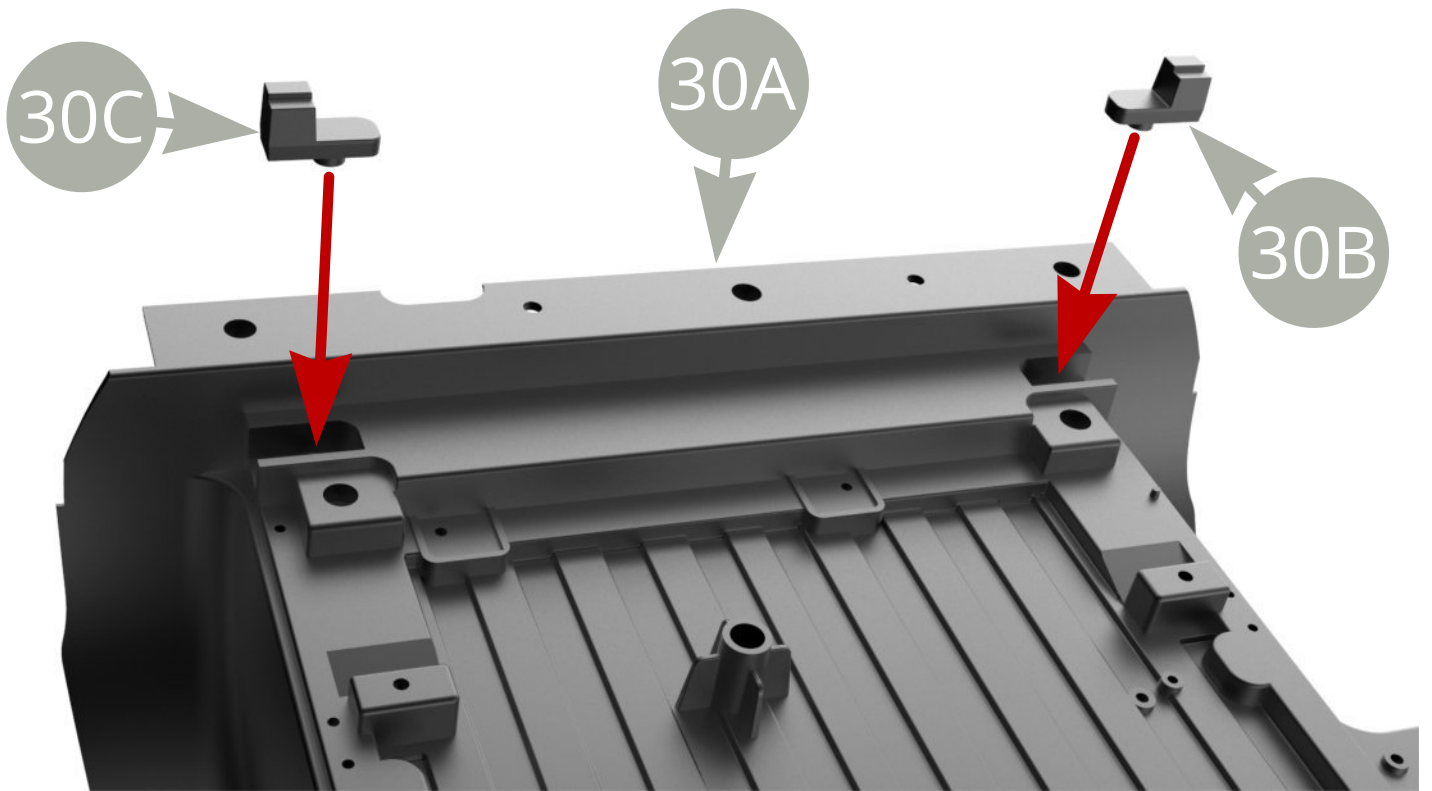


30A Chassis rear section

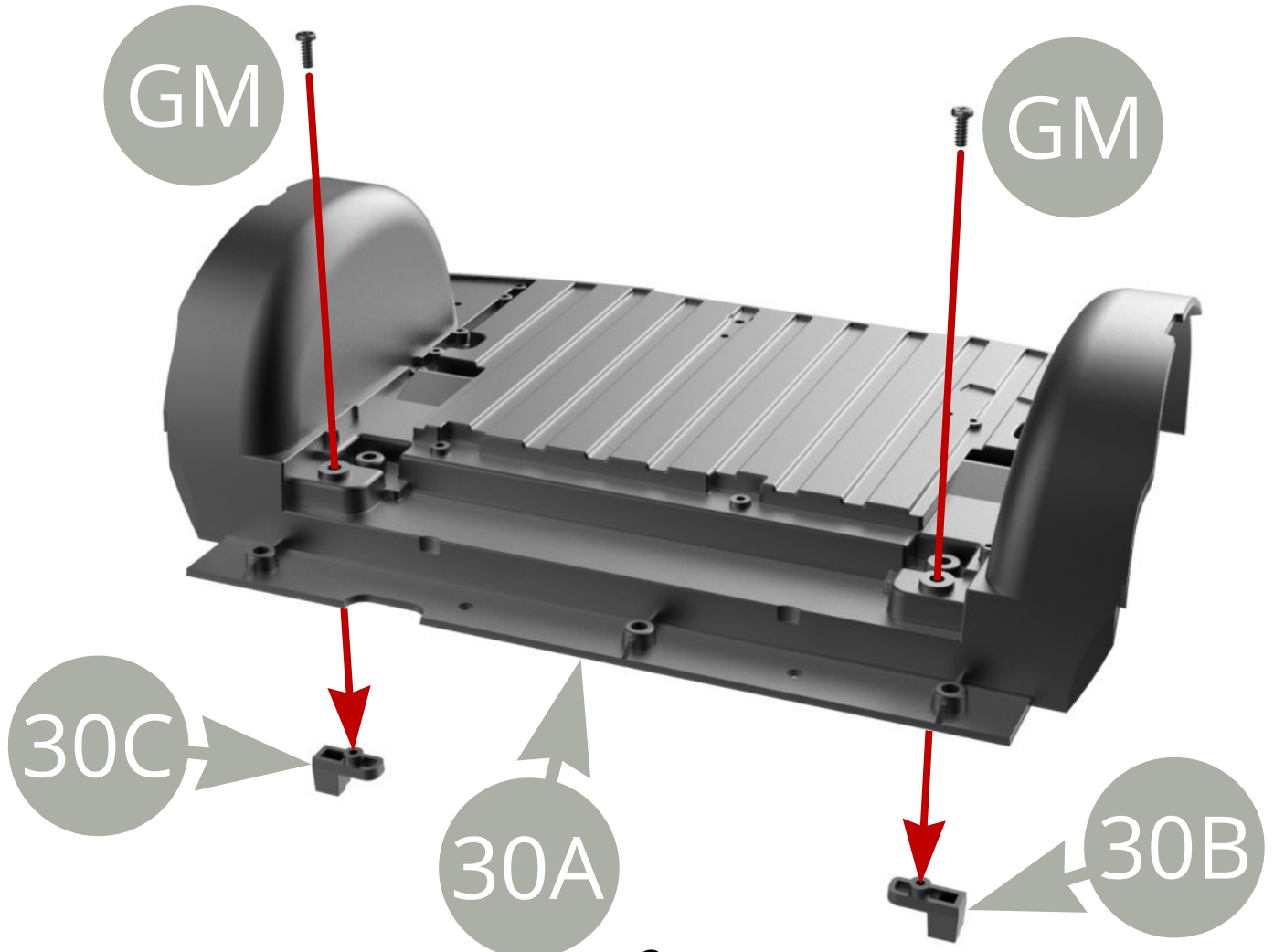
30B Left trailing arm return stroke buffer

30C Right trailing arm return stroke buffer

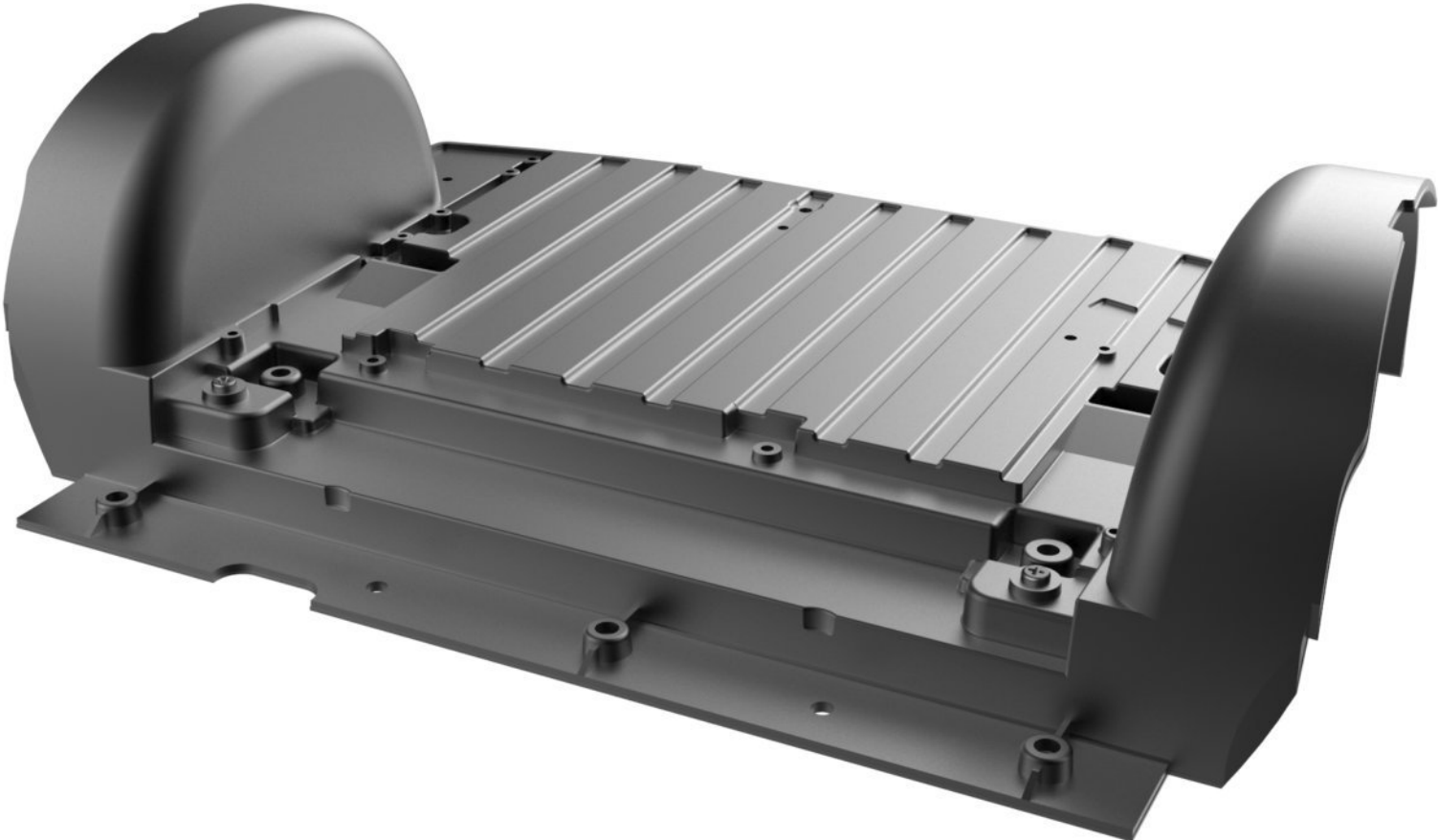
GM M2,0 x5mm (x3)



Fit **30C Right** and **30B Left** trailing arm return stroke buffers to the bottom of **30A Chassis rear section** and fix them with two **GM screws** (top and bottom illustrations).



Final views .



Assembly drawing .

