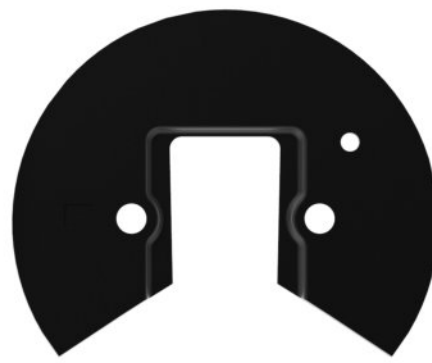




31A



31B



31C



31D



31E



31F



AM

31A Rear axle left trailing arm

31B Brake dust shield

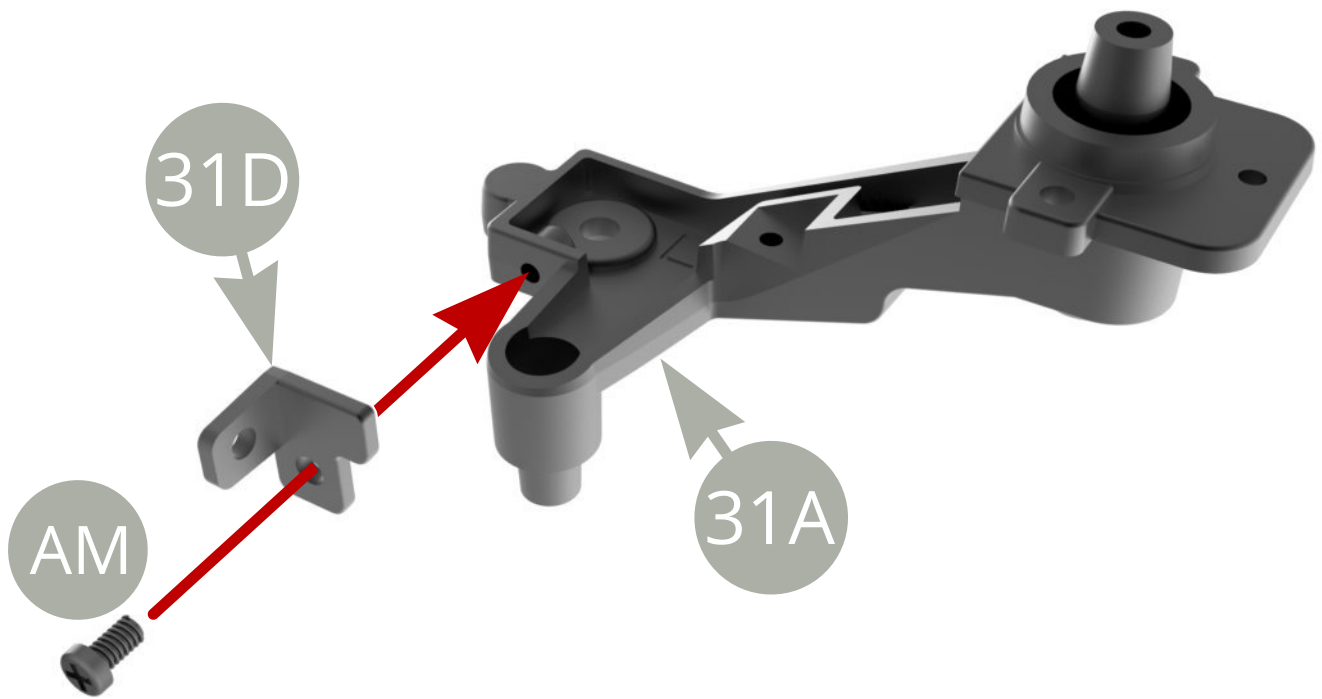
31C Caliper mounting bracket

31D Handbrake cable holder

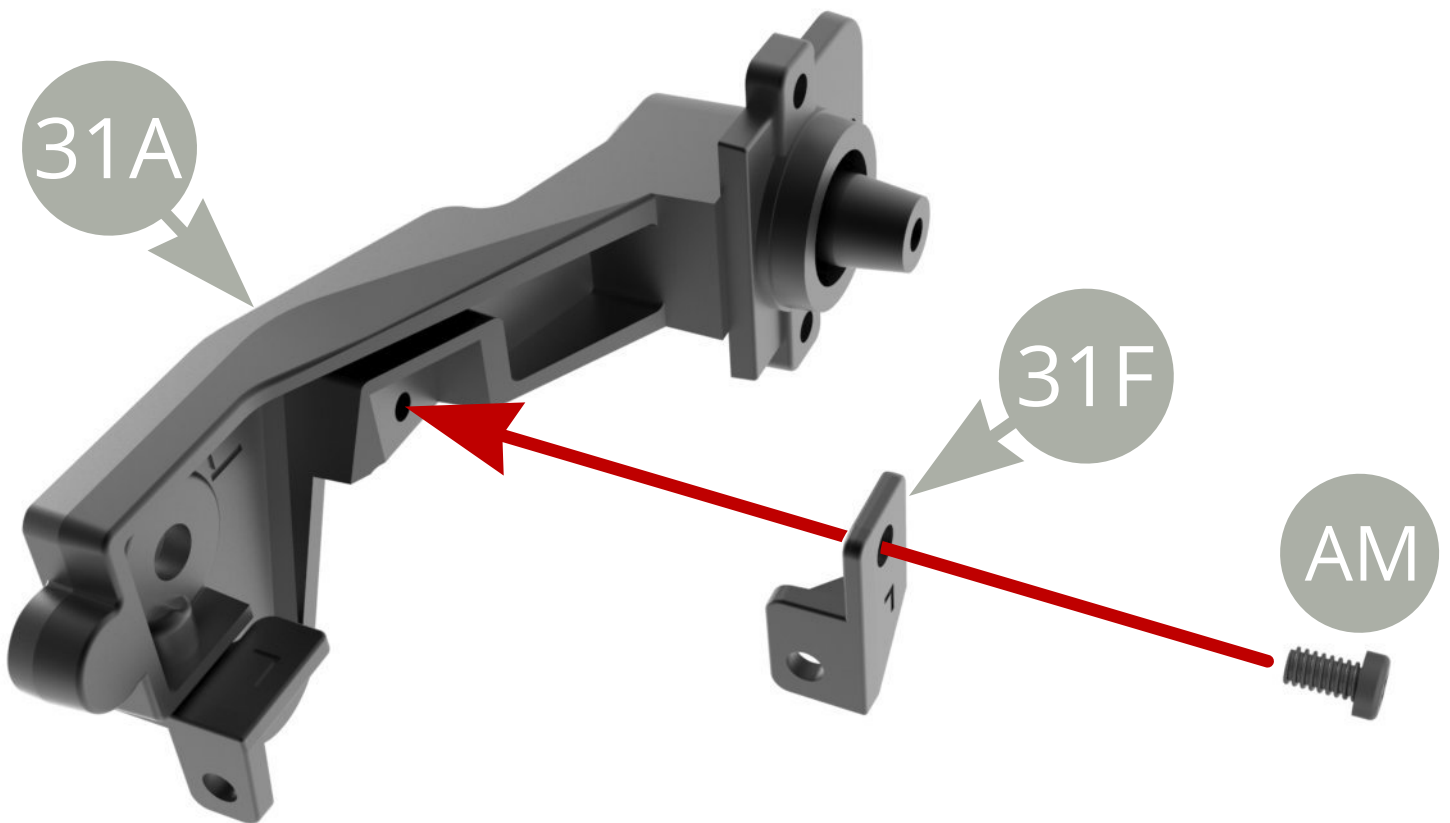
31E Brake hydraulic hose holder

31F Brake hydraulic hose holder

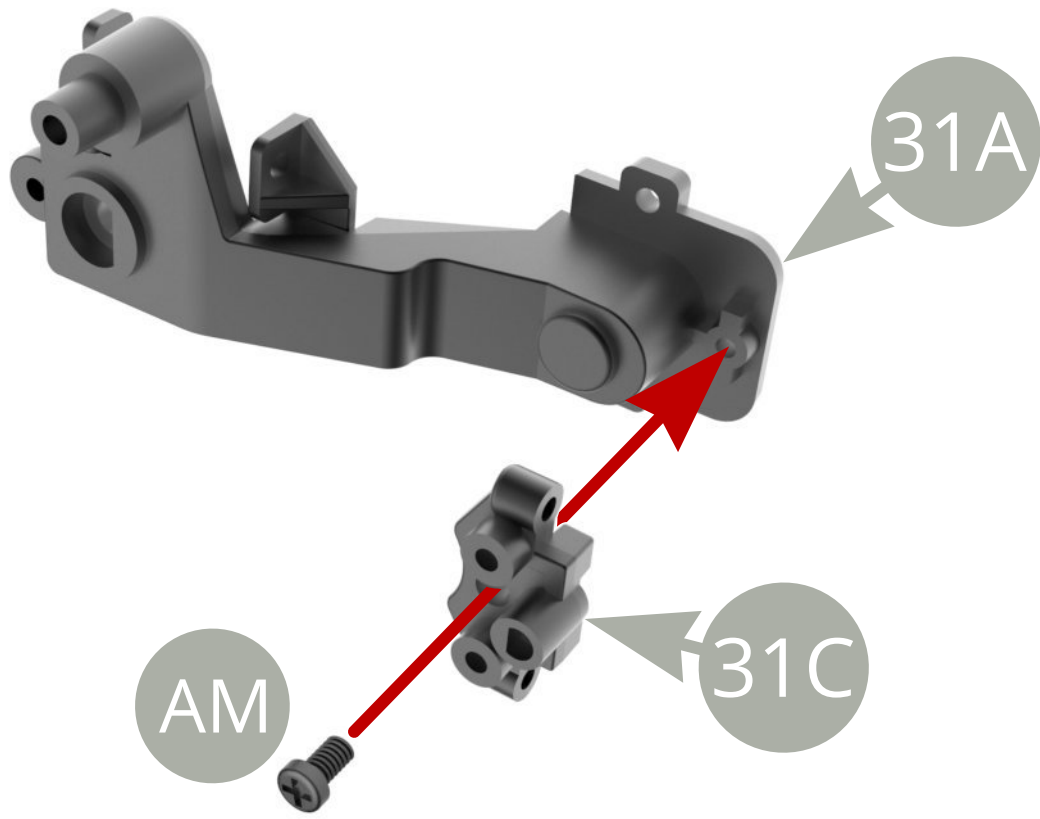
AM M1,7 x3mm (x6)



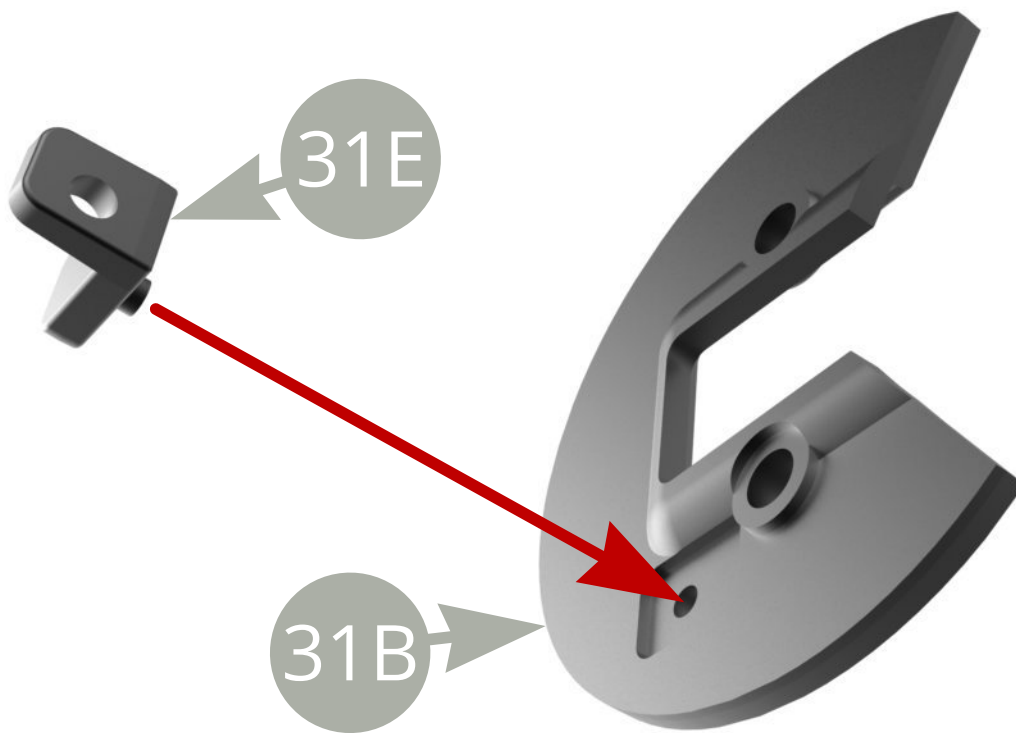
Fit **31D Handbrake cable holder** to **31A Rear axle left trailing arm** and fix with **AM screw** .



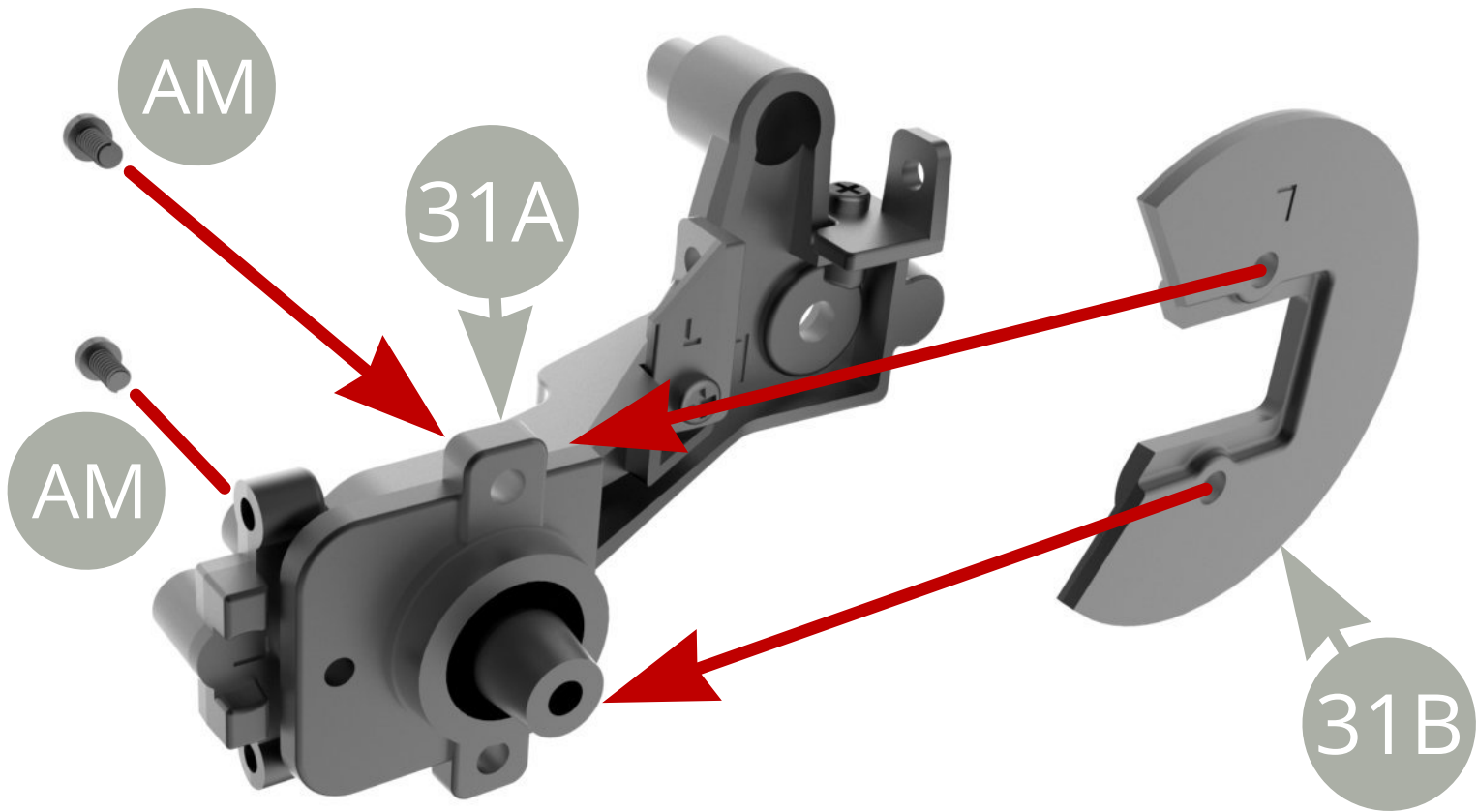
Fit **31F Brake hydraulic hose holder** to **31A Rear axle left trailing arm** and fix with **AM screw** .



Fit **31C Caliper mounting bracket** to **31A Rear axle left trailing arm** and fix with **AM screw** .

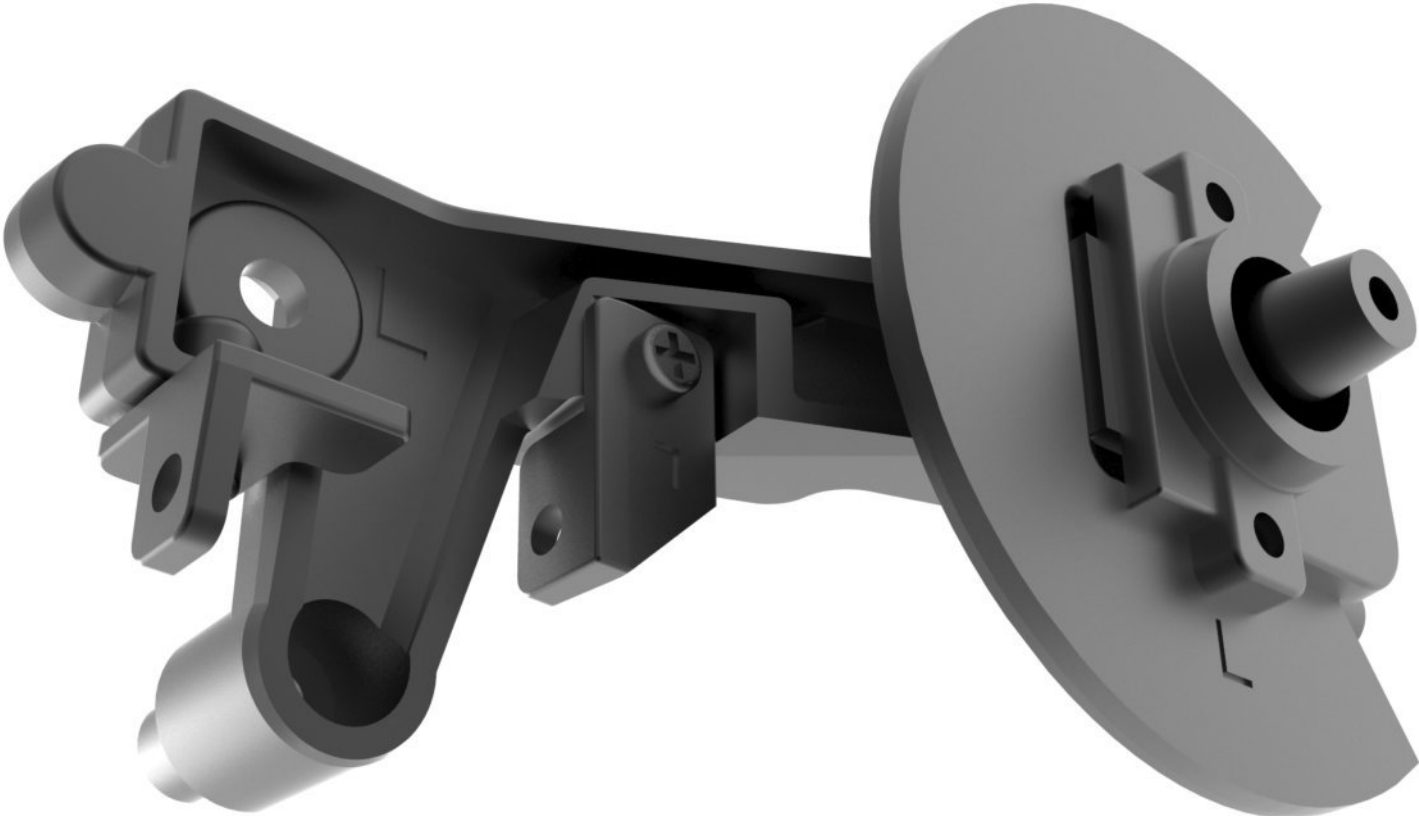
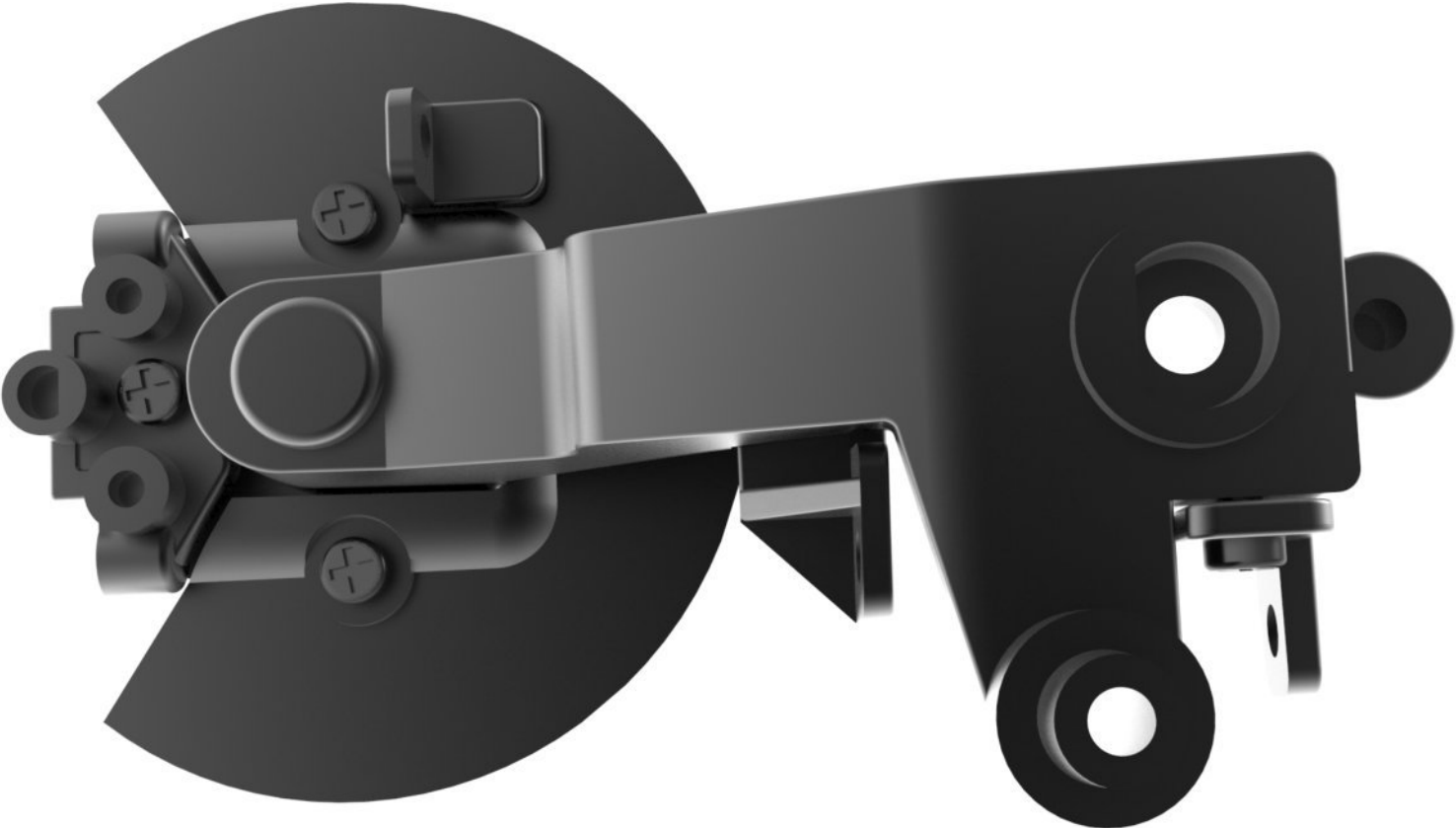


Fit **31E Brake hydraulic hose holder** to **31B Brake dust shield** .



Slide **31B Brake dust shield** to **31A Rear axle left trailing arm** , aligning and fixing with two **AM screws** .

Final views .



Assembly drawing .

